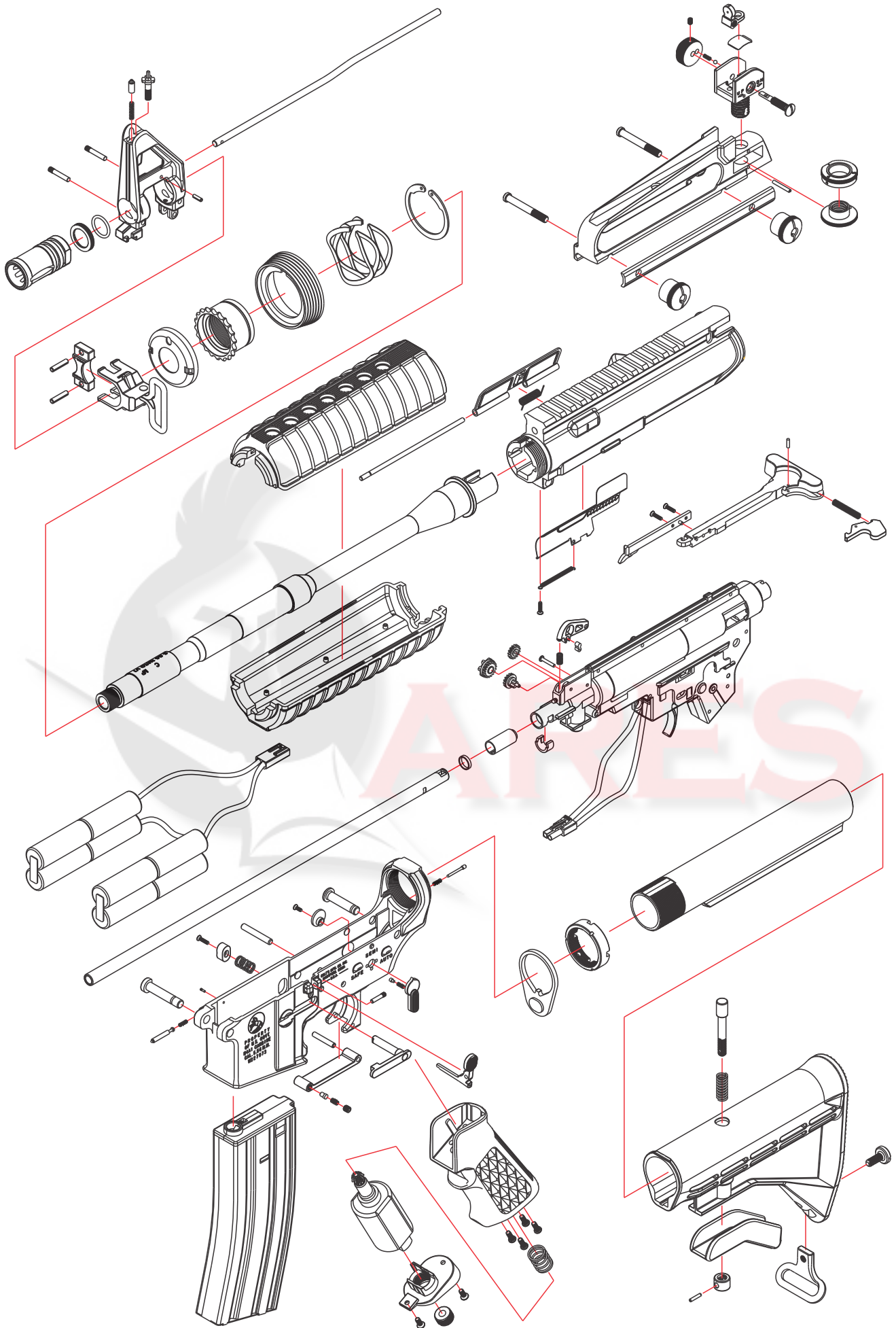
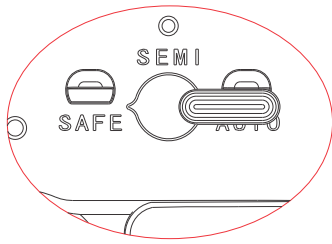


# COLT M4A1 CARBINE EXPOSE PLAN

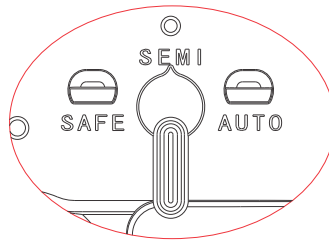


# FIRING MODE

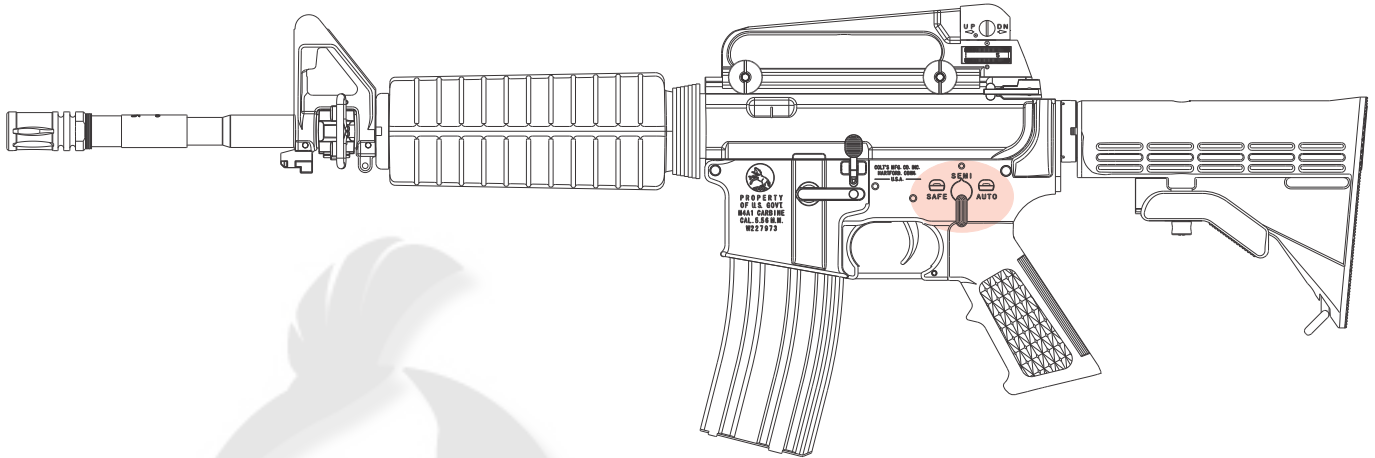
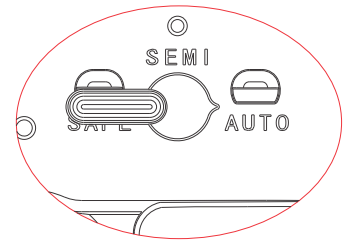
## SAFETY



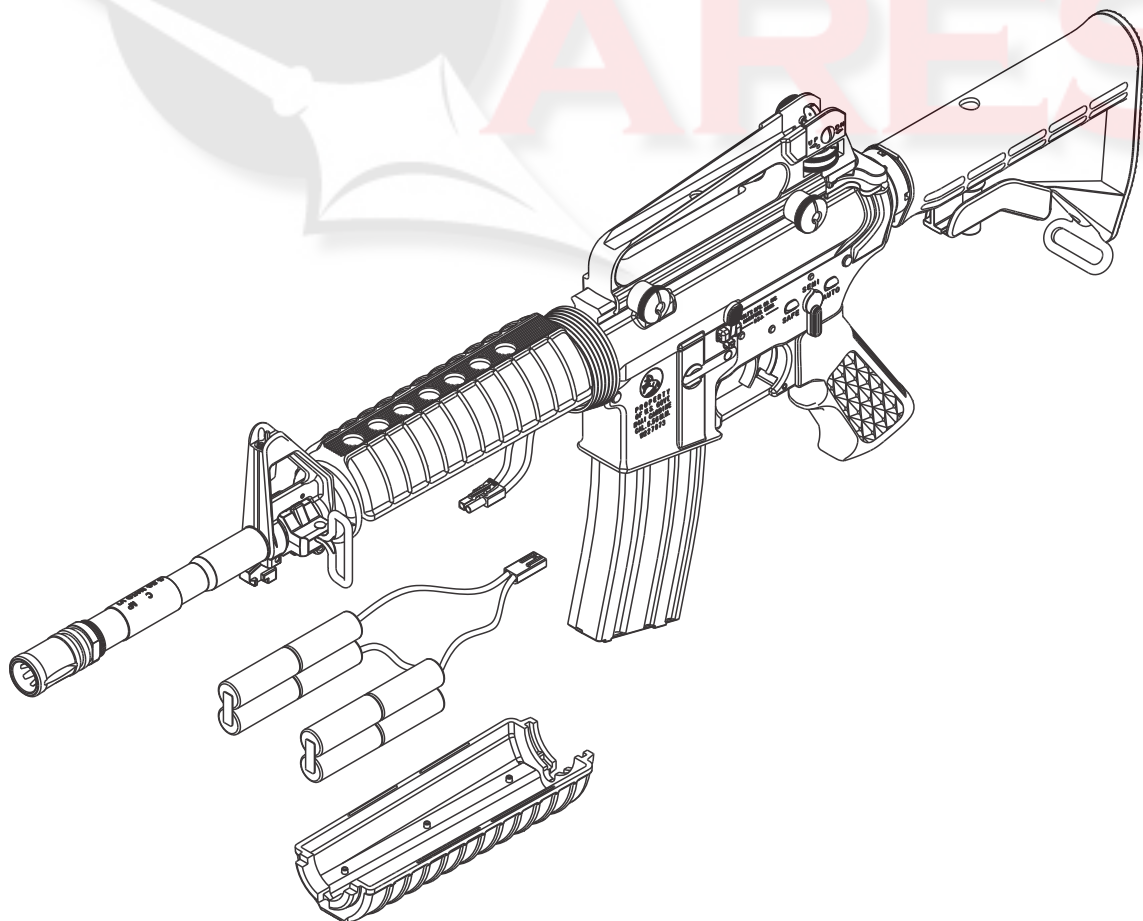
## SINGLE



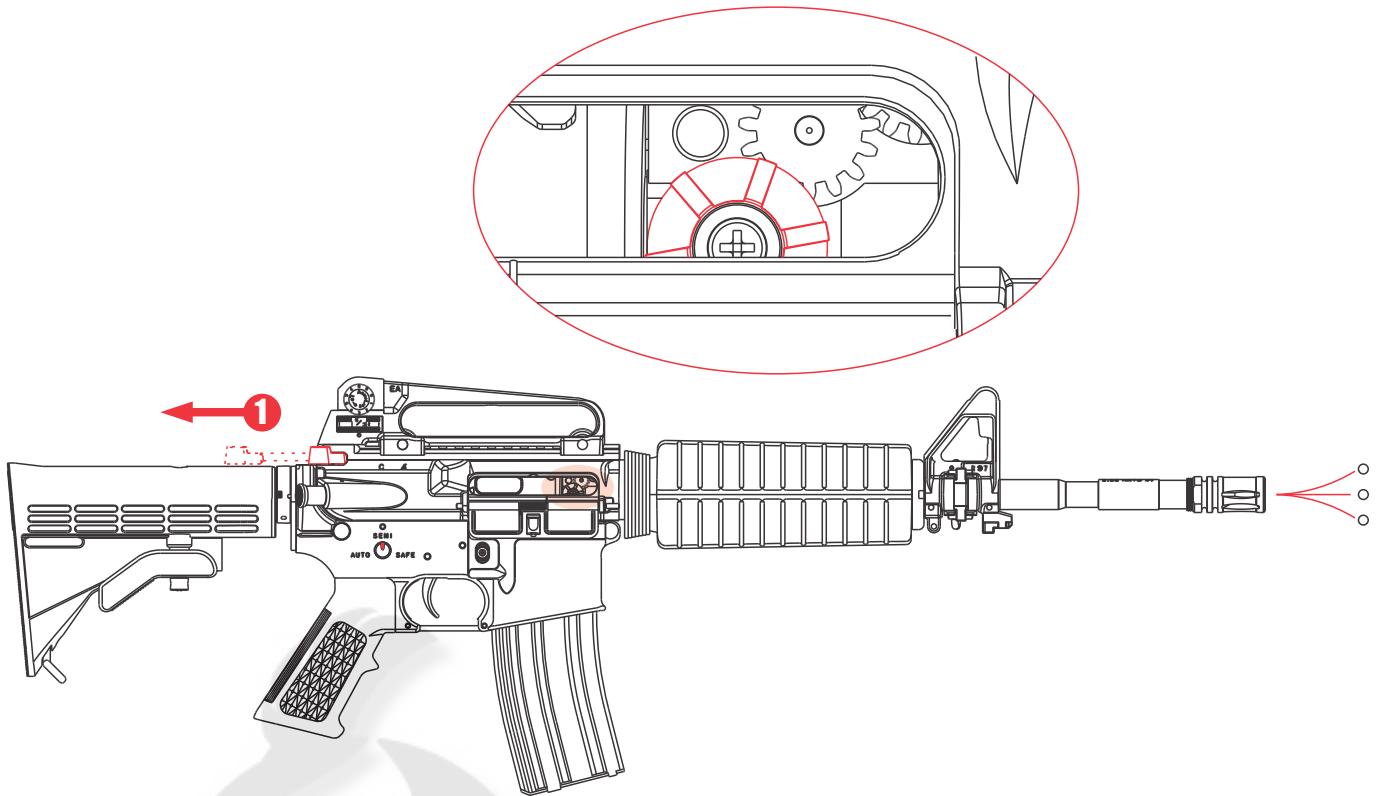
## AUTO



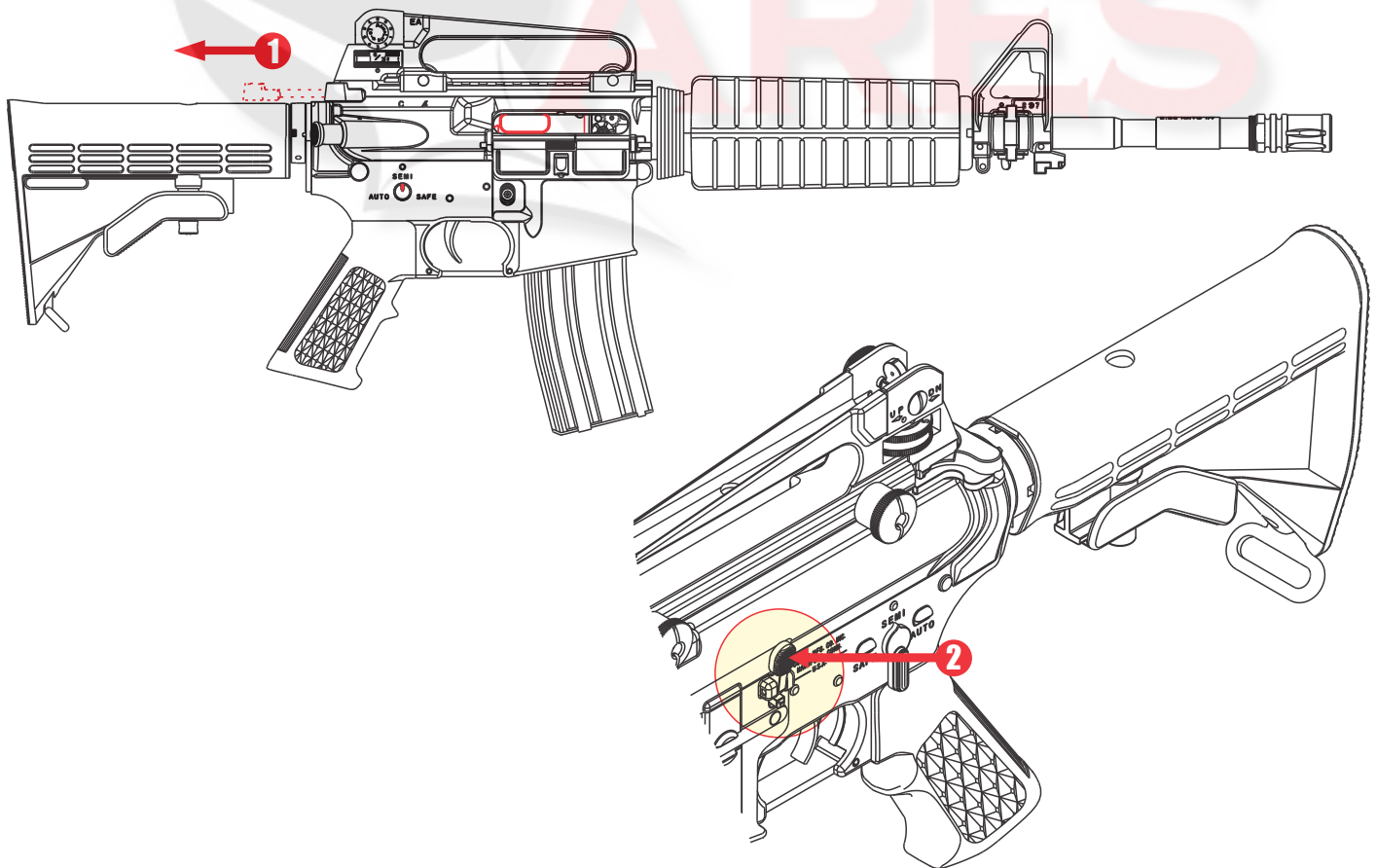
# BATTERY INSTALLATION

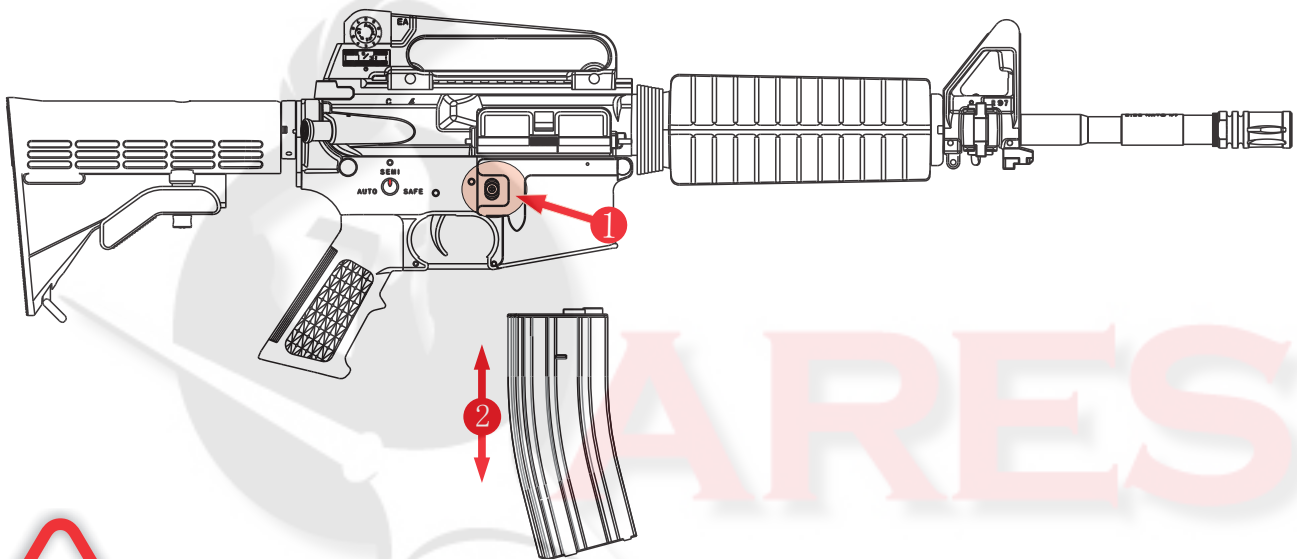
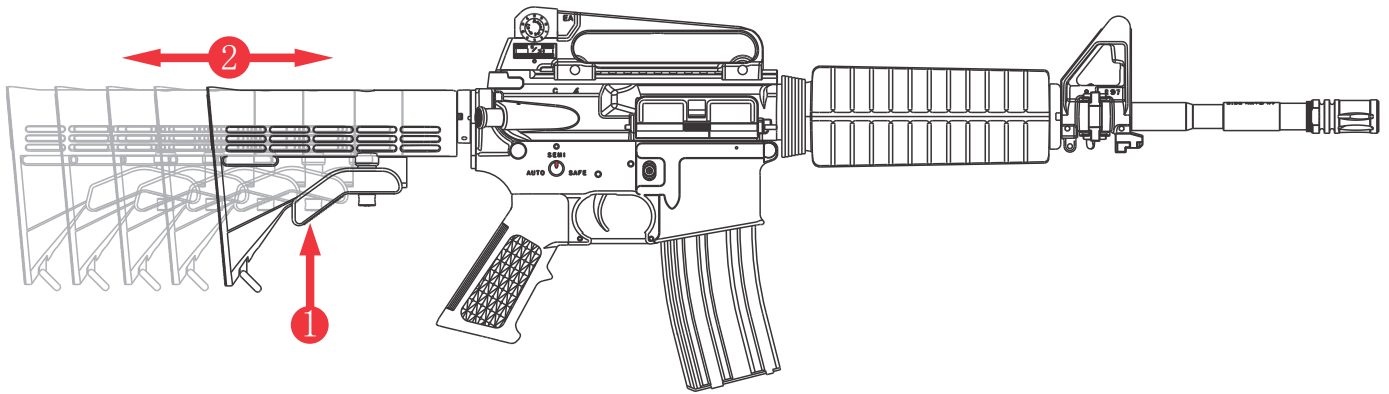


# HOP-UP ADJUSTMENT

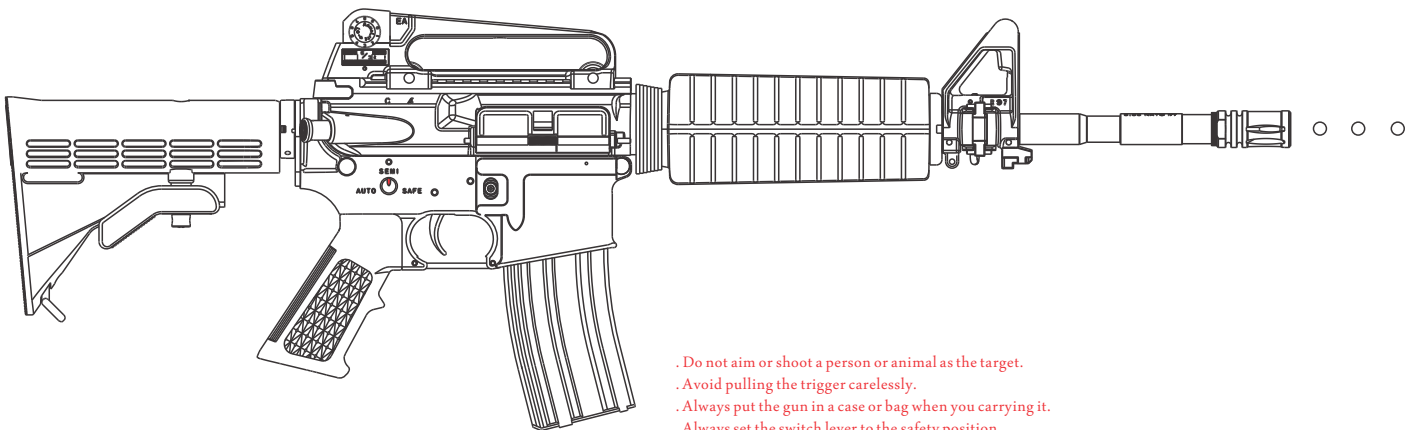


# BOLT LOCK & RELEASE





**WARNING**



- . Do not aim or shoot a person or animal as the target.
- . Avoid pulling the trigger carelessly.
- . Always put the gun in a case or bag when you carrying it.
- . Always set the switch lever to the safety position.
- . Do not look into the gun muzzle.
- . Always wear eye protective gear.
- . Store the airsoft gun at the places out of reach by children.
- . Do not disassemble or modify the airsoft gun.



# **DATA OF ARES M4A1 CARBINE ELECTRIC GUN**

**MATERIAL: NYLON & ALUMINUM ALLOY**  
**HOPUP SYSTEM: ONE PIECE ADJUSTABLE**  
**LENGTH: 780-840MM**

**WEIGHT: 2850G**

**MAGAZINE CAPACITY: 130 ROUNDS**

**BULLET: 6MM BB BULLETS**

**BATTERY: 9.6V 1700MAH**

**MOTOR: HIGH TORQUE FLAT MOTOR**

